



CPC 1210.1.6

See **FIGURE A-1** and attachments for installation requirements.

No gas piping shall be installed in or on the ground under any building or structure unless installed/sleeved in gastight conduit, and all exposed gas piping shall be installed to prevent the entrance of water and insects.

The term “building or structure” shall include structures such as porches and steps, whether covered or uncovered, breezeways, roofed porte-cocheres, roofed patios, carports, pool equipment pad, covered walks, covered driveways, and similar structures or appurtenances.

The conduit shall be of material approved for installation underground beneath buildings and withstand the imposed loads and installed in accordance with sections 1210.1.6.1 and 1210.1.6.2

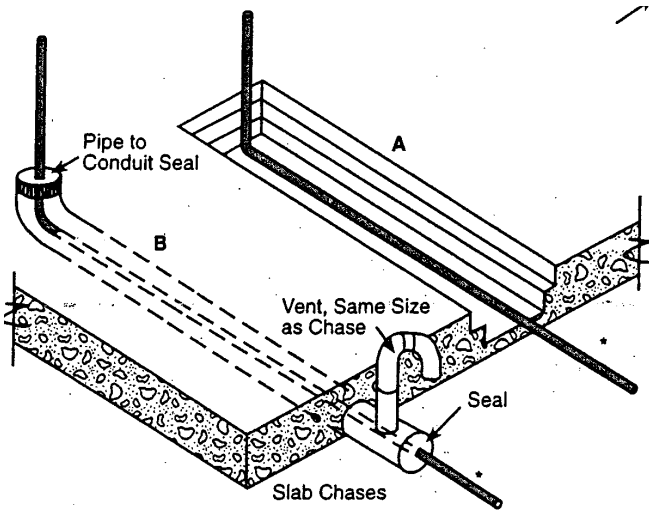
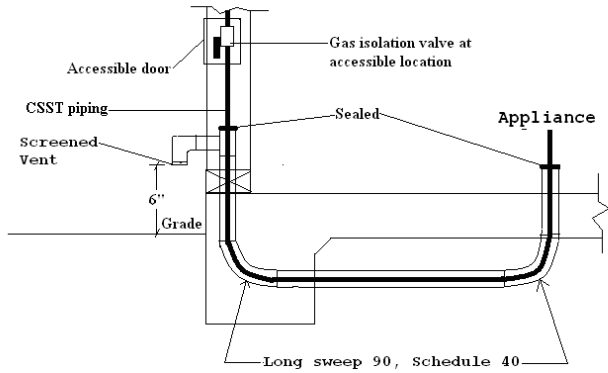
The conduit shall extend to a point at least 4” beyond any area where it is required to be installed or to the outside wall of a building, and the outer ends shall not be sealed.

Where the conduit terminates within a building, it shall be readily accessible and the space between the conduit and the gas piping shall be sealed to prevent leakage of gas into the building.

Sleeving shall be arranged so that piping system can be removed and replaced.

FIGURE A-1

CSST Routed through Non-Metallic, Watertight Sleeving with Venting



A. Provide channel or recess in slab. Use removable a cover plate.

B. Gas pipe in conduit sealed at floor level with vent outside at least 6" (152 mm) above grade.

* Not approved for Liquid Petroleum Gas

Approved Gas Piping May be Installed in Other Locations with Permission from the Administrative Authority