

Outdoor Tri-Level Tubular  
 Bottle Filling Station/Fountain  
 Model LK4430BF1  
 (Single Bottle Filler & 2 Fountain Basins)

**ELKAY®**  
**ROUGH-IN DIMENSIONS**

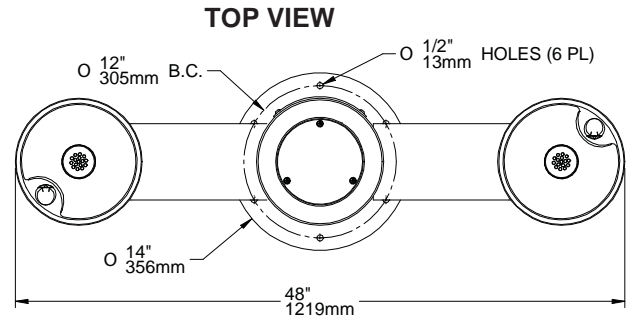
**MOUNTING INSTRUCTIONS and  
 PLUMBING CONNECTIONS**

Mount on a smooth, flat, finished surface with adequate support (300 lb. load maximum). Secure unit with six 3/8" minimum screws or anchor bolts (not provided). Refer to rough-in.

Water supply 3/8" O.D. unplated copper tube. Waste 1-1/2" IPS.

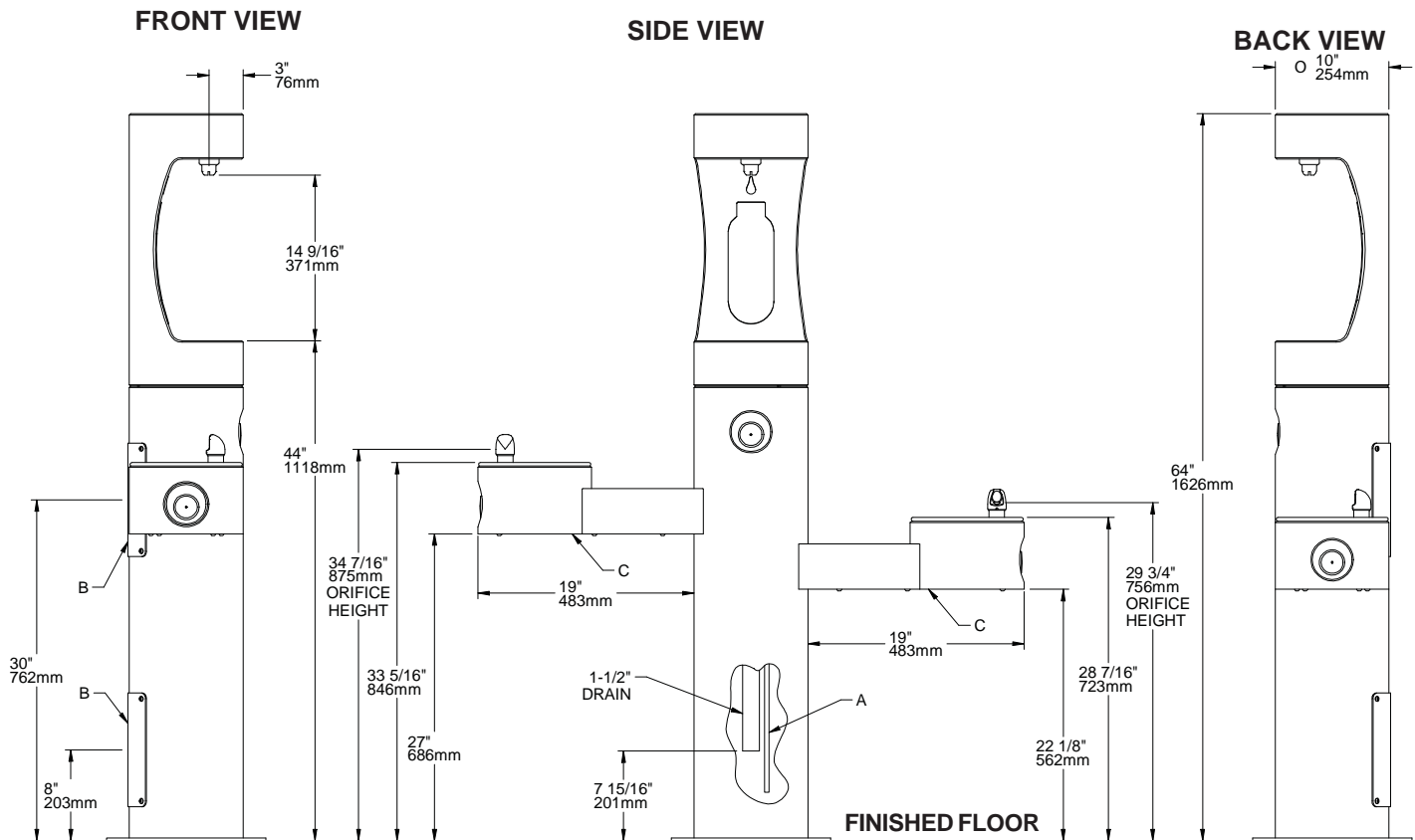
Trap and service stop not included.

**Operating Pressures:** Supply water: 20 - 105 psi maximum.



**ACTUAL PRODUCT CONFIGURATION WILL VARY BASED ON MODEL ORDERED.**

**1U = Upper Position; 1M = Middle Position; 1L = Lower Position  
 MODEL LK4430BF1U SHOWN BELOW**



**LEGEND**

**A = 3/8" O.D. UNPLATED COPPER TUBE CONNECT - SHUT OFF VALVE BY OTHERS**

**B = ACCESS PANEL ( 8" X 10" )**

**C = REMOVABLE BOTTOM COVER**

Outdoor Bi-Level Tubular  
Bottle Filling Station  
Model LK4430BF2  
(2 Bottle Fillers & 1 Fountain Basin)



ROUGH-IN DIMENSIONS

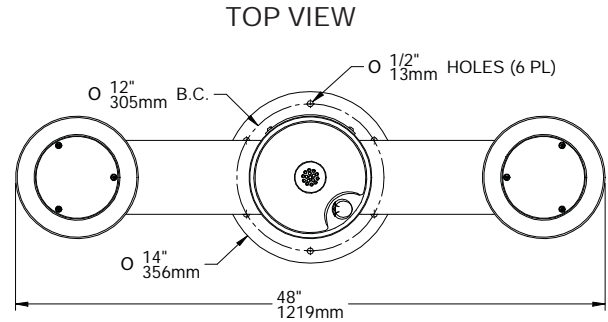
MOUNTING INSTRUCTIONS and  
PLUMBING CONNECTIONS

Mount on a smooth, flat, finished surface with adequate support (300 lb. load maximum). Secure unit with six 3/8" minimum screws or anchor bolts (not provided). Refer to rough-in.

Water supply 3/8" O.D. unplated copper tube. Waste 1-1/2" IPS.

Trap and service stop not included.

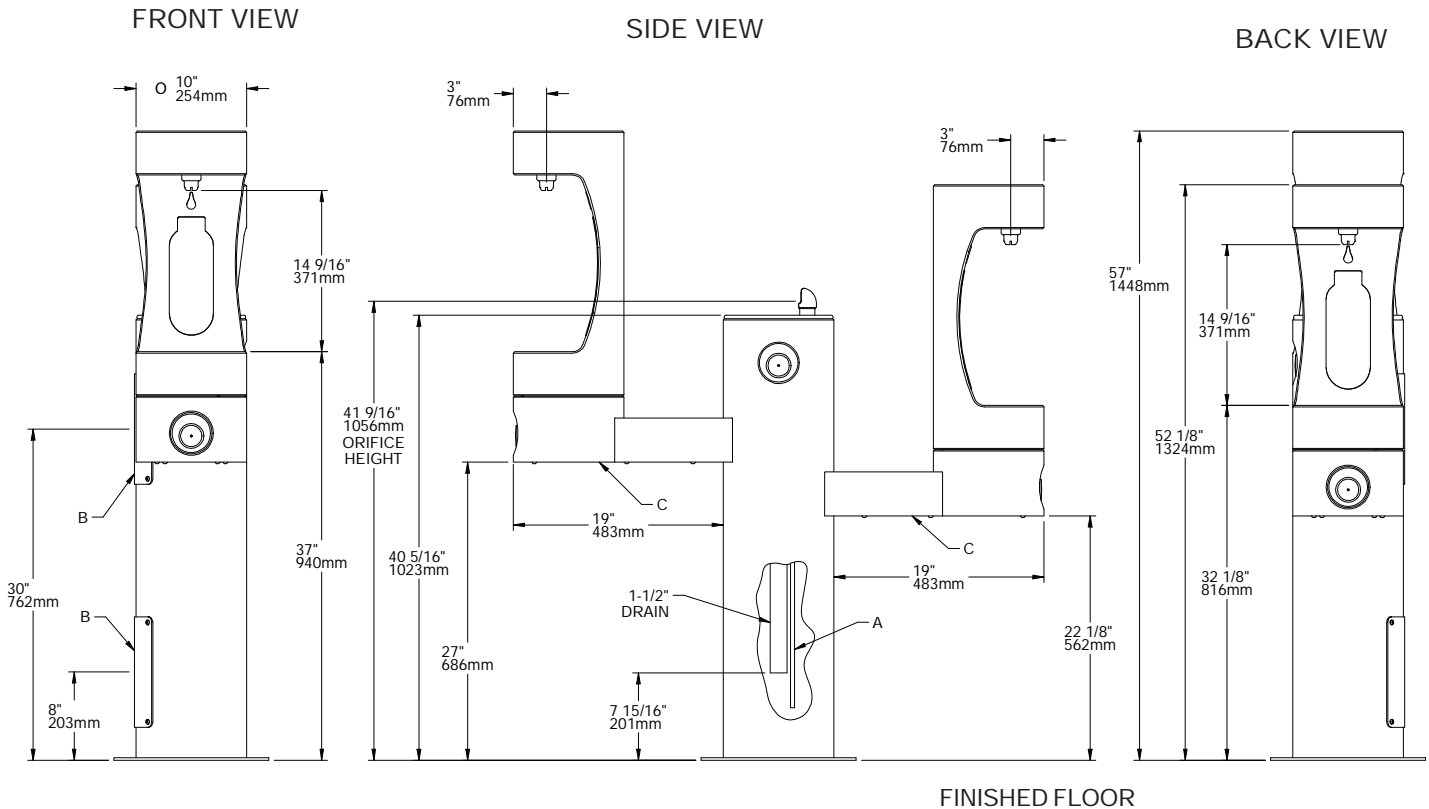
Operating Pressures: Supply water: 20 - 105 psi maximum.



ACTUAL PRODUCT CONFIGURATION WILL VARY BASED ON MODEL ORDERED.

2UM = Upper/Middle Position; 2UL= Upper/Lower Position; 2ML = Middle/Lower Position

MODEL LK4430BF2ML SHOWN BELOW



FINISHED FLOOR

LEGEND

A = 3/8" O.D. UNPLATED COPPER TUBE CONNECT - SHUT OFF VALVE BY OTHERS

B = ACCESS PANEL ( 8" X 10" )

C = REMOVABLE BOTTOM COVER

Outdoor Tri-Level Tubular  
Bottle Filling Station  
Model LK4430BF3  
(3 Bottle Fillers)



ROUGH-IN DIMENSIONS

MOUNTING INSTRUCTIONS and  
PLUMBING CONNECTIONS

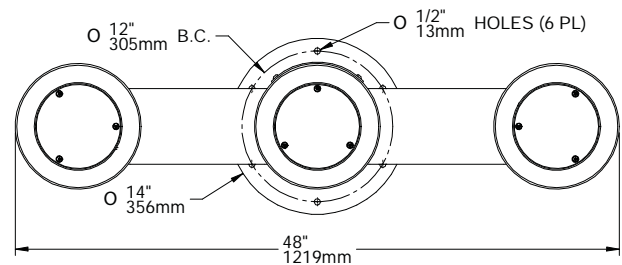
Mount on a smooth, flat, finished surface with adequate support (300 lb. load maximum). Secure unit with six 3/8" minimum screws or anchor bolts (not provided). Refer to rough-in.

Water supply 3/8" O.D. unplated copper tube. Waste 1-1/2" IPS.

Trap and service stop not included.

Operating Pressures: Supply water: 20 - 105 psi maximum.

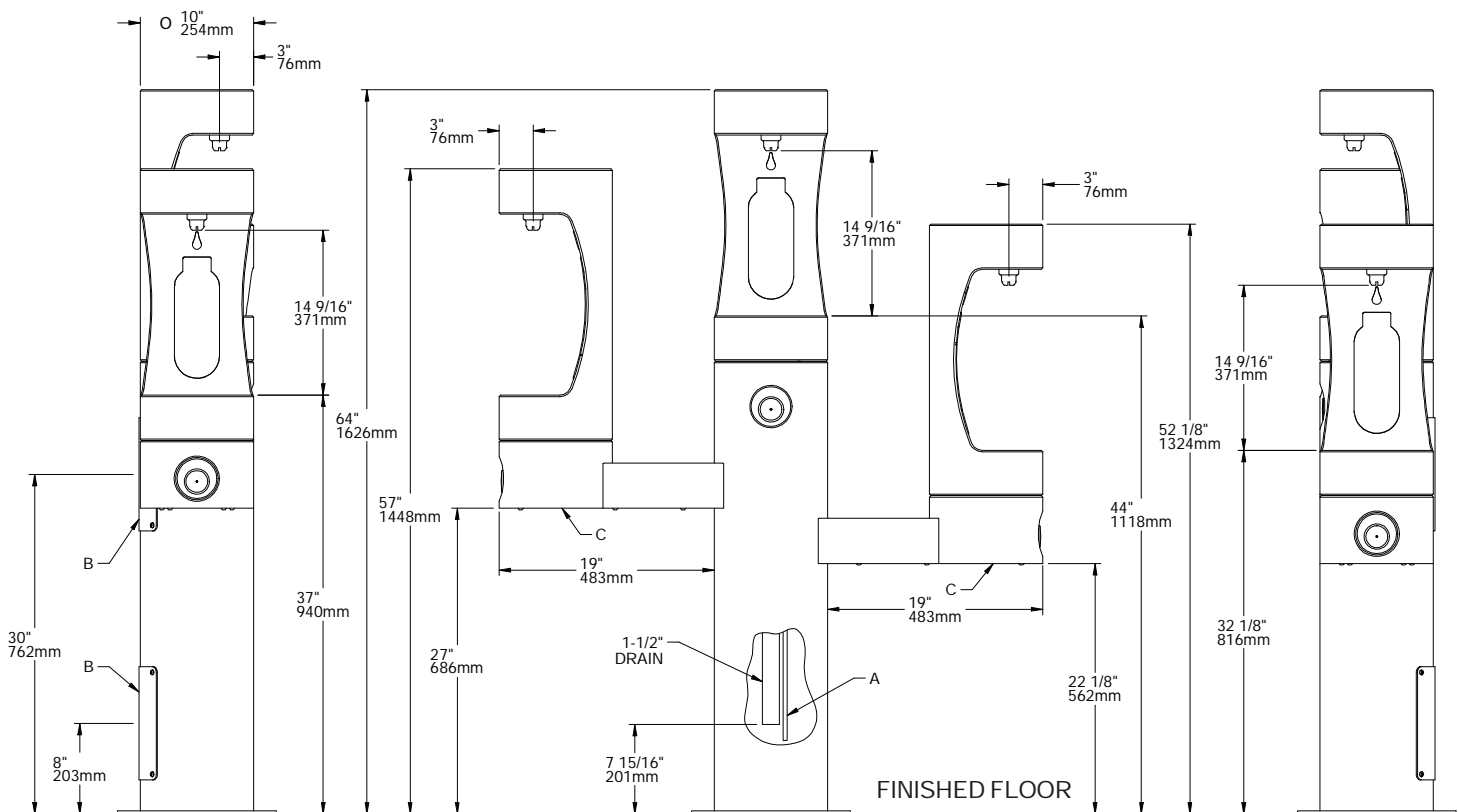
TOP VIEW



FRONT VIEW

SIDE VIEW

BACK VIEW



LEGEND

A = 3/8" O.D. UNPLATED COPPER TUBE CONNECT - SHUT OFF VALVE BY OTHERS

B = ACCESS PANEL ( 8" X 10" )

C = REMOVABLE BOTTOM COVER