

ELKAY® SPECIFICATIONS

Bi-Level, Tubular Pedestal Barrier-Free Fountain with Pet Fountain Model LK4420DB

GENERAL

Pedestal steel fountain with textured powder coat finish and E-Coat immersion for year-round beauty with minimum maintenance. The E-Coat immersion process coats the outside and inside of the fountain for the ultimate in corrosion protection. Contour-formed stainless steel basin with rounded corners and edges reduces splatter, insures proper drainage and prevents standing waste water. Pet fountain features slow drainage for easy drinking. Ideally suited for installation in public areas. Model meets requirements as defined by the American with Disabilities Act.



This fountain is ADA compliant.

NO LEAD DESIGN

THIS DRINKING FOUNTAIN COMPLIES WITH THE LEAD-FREE DEFINITION IN THE SAFE DRINKING WATER ACT OF 1986 AND LEAD CONTAMINATION CONTROL ACT OF 1988.

Elkay Drinking Fountains are manufactured with a waterway system utilizing copper components and completely lead-free material. These waterways have no lead because all leaded materials, such as leaded brass, have been removed.

This fountain is certified by WQA to lead-free compliance including **NSF/ANSI 61 and 372.**

CONSTRUCTION

Bubbler: Vandal-resistant bubblers are one-piece, chrome-plated, with integral hood guard design to prevent contamination from other users, airborne deposits and tampering.

Pushbutton Actuation Mechanism: Self-closing, vandal-resistant pushbuttons do not require grasping or twisting.

Automatic Stream Height Regulator: Self-closing assembly is located inside unit to prevent tampering. Unit resists corrosion and liming. A constant stream height is automatically maintained under line pressures that vary from 20 to 105 psi.

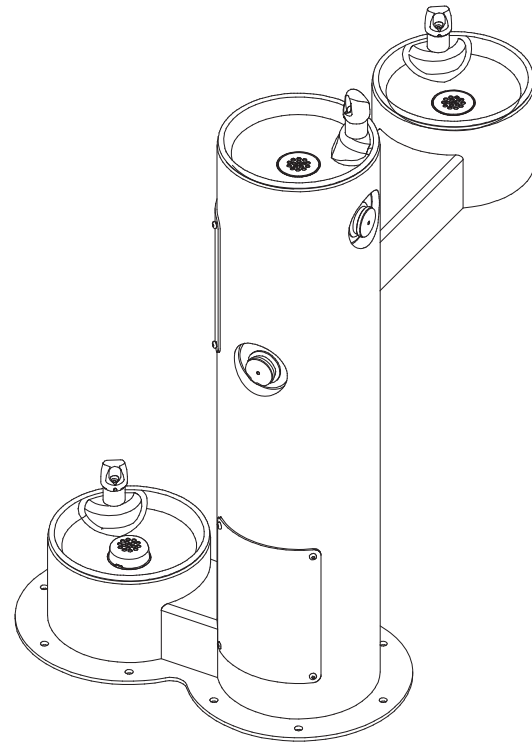
Inlet Strainer: Easily cleaned in-line strainer screen traps particles of 140 microns or larger before they enter the waterway.

Water Inlet: 3/8" O.D. tubing.

Drain Outlet: 1-1/4" IPS

Access Panel: Manufactured of heavy-gauge steel with vandal-resistant screws. Provides access for easy hook-up of all plumbing connections.

Shipping Weight: 140 lbs.



Model LK4420DB

SUGGESTED SPECIFICATIONS

Fountain shall have a lower doggy bowl for use by pets and shall include pushbuttons on the front and side. Shall include contoured-formed basins to eliminate splashing and standing water, and shall have rounded corners and edges. Projectors shall be chrome-plated vandal-resistant type with integral hood guard and anti-squirt feature. The manufacturer shall certify the unit to meet the requirements of NSF/ANSI 61/372, and the Safe Drinking Water Act. Fountain shall comply with ANSI 117:1 and ADA for visual and motion disabilities.

In keeping with our policy of continuing product improvement, Elkay reserves the right to change product specifications without notice.

This specification describes an Elkay product with design, quality and functional benefits to the user. When making a comparison of other producers' offerings, be certain these features are not overlooked.

Bi-Level, Tubular Pedestal
Barrier-Free Fountain with Pet Fountain
Model LK4420DB

ELKAY
ROUGH-IN DIMENSIONS

MOUNTING INSTRUCTIONS and
PLUMBING INSTRUCTIONS

Provide solid, well-drained surface to mount pedestal fountain (concrete pad recommended). (10) 1/2" anchor bolts (not included) should be attached firmly to mounting surface in order to secure fountain. (Refer to rough-in diagram.)

Locate and install plumbing through ground as required.
NOTE: Fountain is not furnished with service valve.

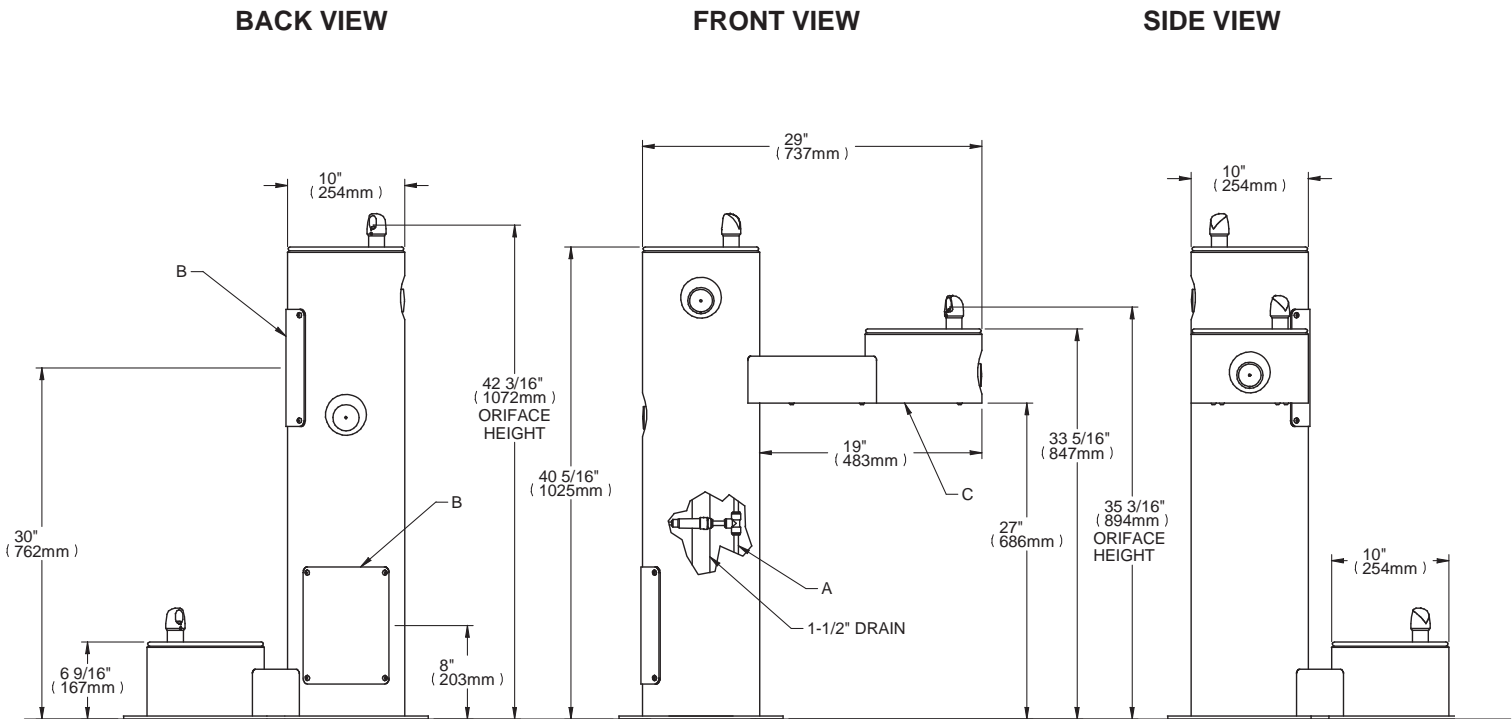
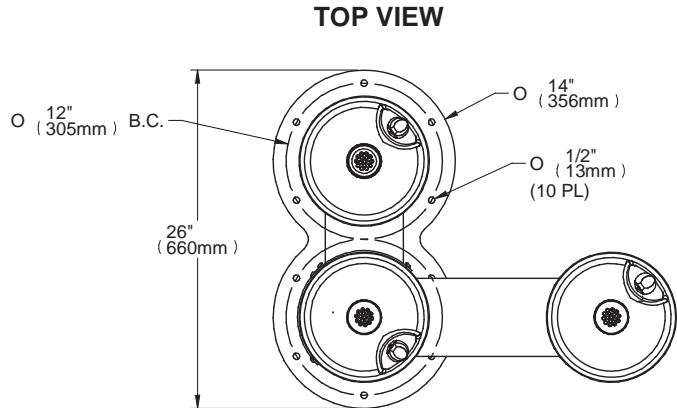
Position pedestal over plumbing and secure base to anchor bolts. Remove access panels and connect supply and water lines. Turn on water supply and check for leaks.

Reassemble access panels to pedestal.

Modified low stream height bubbler for pet fountain.

Trap and service stop not included.

Operating Pressures: Supply water - 105 psi maximum.



LEGEND

A = 3/8" O.D. UNPLATED COPPER TUBE CONNECT - SHUT OFF VALVE BY OTHERS

B = ACCESS PANEL (8" X 10")

C = REMOVABLE BOTTOM COVER