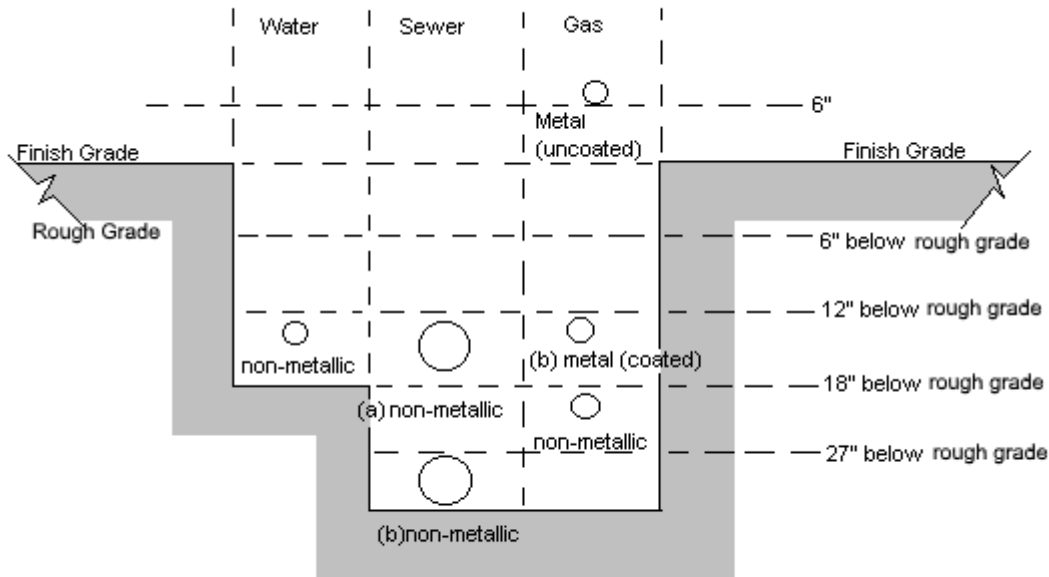


These burial depths apply outside of buildings within private property subject to the following provisions:

- These are not applicable to public utility piping.
- * Pipes may be laid in the same trench without horizontal separation except as noted for water and sewer lines.

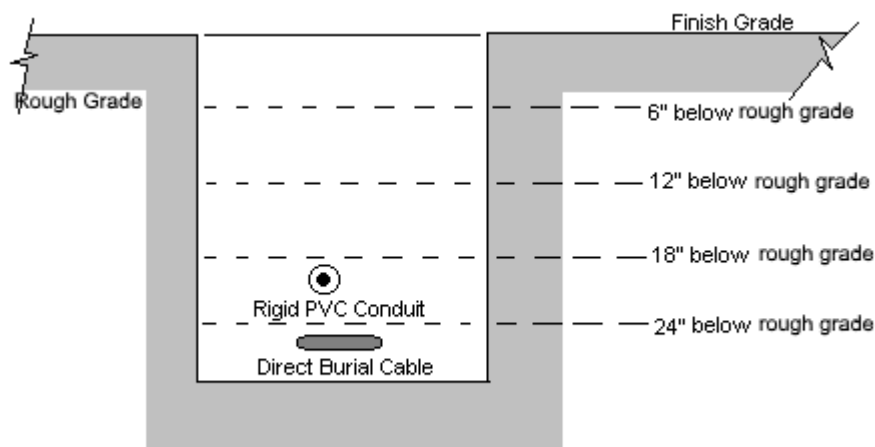


MEASUREMENTS ARE FROM THE TOP OF THE PIPING TO ROUGH GRADE (Not including concrete, etc...)

WATER Piping	DRAIN - Waste Piping	**FUEL GAS Piping
Metallic piping shall be a minimum of 12" below grade.	Metallic piping shall be a minimum of 12" below grade.	Metallic piping must be 6" minimum above finish grade or factory wrapped w/ protective coating
Non - Metallic piping shall be a minimum of 12" below grade	<p>(a) 12" minimum below grade</p> <p>(b) *For pipe not listed to be used inside buildings, the sewer must be 12" below the water piping. The water pipe shall be to one side on a solid shelf - total depth to the top of the sewer 27"</p> <p>*ABS AND PVC drain and water pipes can be together in the same trench without separation.</p>	<p>Non-metallic gas piping must be 18" minimum below grade.</p> <p>Note: riser to be metallic. Horizontal metallic portion of the riser shall extend 30" minimum before connecting to the plastic piping. Use of a factory transition fitting is required. All metal fittings must be primed and wrapped with minimum of 40 mils of approved pipe wrap tape. Number 14 AWG copper tracer wire shall be attached to non-metallic piping and shall terminate above grade at both ends. Pipe depths may be reduced by 6" when a minimum of 4" of concrete is placed over the trench.</p>

Burial Depths for ELECTRICAL Lines on Private Property	
Rigid Non-metallic Conduit	18" Minimum 24" Under areas subject to vehicular traffic
Direct Burial (UF) Cable	24 " Minimum
Metallic Conduit	Not recommended – Corrosion resistant conduit only with approval
Note: These depths may be reduced 12" when minimum of 2" of concrete cover is placed in the conduit trench. A reduction to 12" deep is allowed for any wiring method for a 120V, 20 Ampere or less rated circuit that is GFCI protected	

ALL MEASUREMENTS ARE FROM THE TOP OF THE CONDUIT TO ROUGH GRADE (Not including concrete, etc...)



The above burial depths are not applicable for the following uses:

- Mobile home Parks
- SCE Service Laterals
- Underneath building slabs a minimum of 3 ½" thick. (Conduit may be installed directly underneath slabs inside of a building)
- Locations where solid rock is encountered. Check with field inspector for possible solutions
- Vehicular traffic areas

Any trenching through septic systems and leach fields must be reviewed by the County Health Department as well as the Building Division.

**** Gas piping under covered patio patios and similar structures must be sleeved with ABS or PVC and vented outside of the patio or structure footprint. 2019 CPC 1210.1.6**